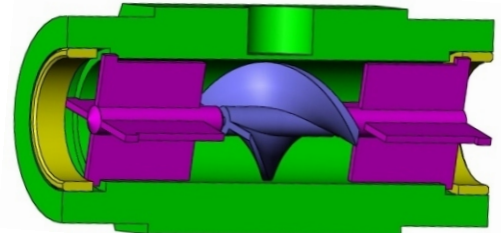
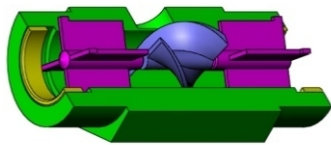


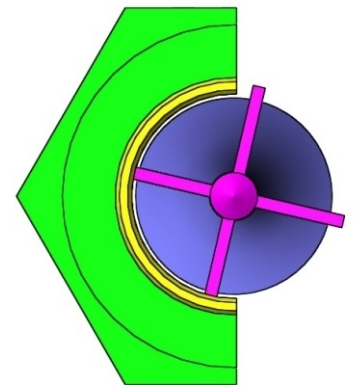
Industrial Spherical Flow Sensor & Meter  
(Positive Displacement Flow Meter)



Myko developed and produced Spherical rotor Positive displacement flow sensor specially for replace oval gear flow sensor at some application where liquid is not pure and require easy and low weight flow meter , Spherical flow meters are positive displacement meters with a very favorable low pressure drop behavior. therefore perfectly suited for the flow measurement of very high viscosity fluids. Due to wide measuring ranges, high accuracy and resolution helical flow meters are an excellent choice for laminating systems, painting systems, adhesive dispense systems, as well as batching systems for various fluids.

**Features :** High accuracy

- : Pressure: up to 400 bar , special range up to 1500 bar
- : Independent of viscosity, perfect for 1 to 106 mm<sup>2</sup>/s
- : Low pressure drop compared with other positive displacement meters
- : High resolution
- : Pulsation-free measurement, non-sensitive to pulsating flows
- : Resistant to corrosion by advanced materials and bearings



**Applications :** Polyurethane and polymer

- : Light and heavy fuel oil
- : Petrochemical products
- : Thixotropic fluids
- : Fat and oils with varying viscosities
- : Hydraulics Test rigs with varying viscosities and fluids
- : Water / glycol mixtures
- : Crude oil, furnace oil, and all viscous liquid even viscosity change with Temperature
- : Very good for WATER atm, water dispensing, tea/coffee/wine/juce and other food liquid measurement and dispensing,



**Industrial Spherical Flow Sensor & Meter**  
**(Positive Displacement Flow Meter)**

**Technical Data Sheet**

Material of construction:

Enclosure : S.S.-316/S.S-304/customer require

Rotor : stainless steel/ tantlum

Shaft : Hard Stainless Steel-316 / carbide

bearing : carbide with hard S.S. BALL

Accuracy (standard installation position) : +/- 0.25 /1% FSD

Repeatability : 0.02%

Maximum working pressure : 100/400/1000 bar

Fluid & Ambient temperature: -40 to 120/150 Deg. C

Connection: Thread (M)/ Flange

**1) Pulse output sensor :**

Power voltage: 5VDC/12 V DC/24VDC

Output signal: NPN open connector

Output:

high electric level : High than 8 VDC( input voltage 12 VDC)

low electric level : lower than 0.8 VDC( input voltage 12 VDC)

**2) Battery operated meter :**

Power voltage: 3.3 V10AH lithium batteries can be used more than 5 years in a row.

display mode:

Double row Liquid Crystal Display (LCD), as follows:

L XXX. X four instantaneous flow (m<sup>3</sup> / h) or L/h

XX. XXXXXX eight cumulative flow (m<sup>3</sup>) or L

Cumulative flow: automatically expand the display precision, the cumulative flow values can be reset.

Power-fail protection: instrument coefficient, the Total flow values ten years is not lost when power supply drop.

**3) Display with 4 to 20 mA Output**

Power voltage: 24 V DC

Output signal: 4 TO 20 mA

Optional output on demand : HART protocol / RS-485/ ALARM

**4) Panel mount flow rate totalizer**

Display flow rate and total, many optional output and 24vdc/230vAC power supply



Industrial Spherical Flow Sensor & Meter  
(Positive Displacement Flow Meter)

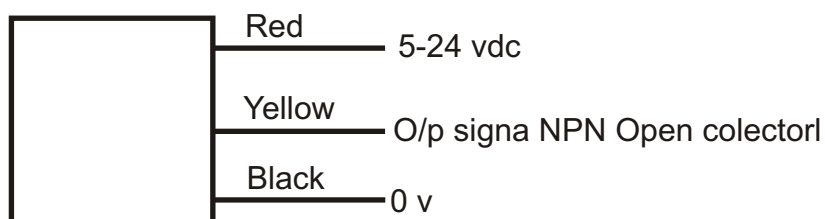
**Helical rotor flow sensor model no wise Technical data: ^**

<u>Model no</u>	<u>Line size</u>	<u>Range</u>
MK-SFM-004	04 mm	40~400 L/H
MK-SFM-012	12 mm	600~6000 L/H
MK-SFM-025	25 mm	1000~10000 L/H
MK-SFM-040	40 mm	2000~20000 L/H
MK-SFM-050	50 mm	4000~40000 L/H
MK-SFM-080	80 mm	10000~100000 L/H
MK-SFM-100	100 mm	20000~200000 L/H
MK-SFM-150	150 mm	30000~300000 L/H
MK-SFM-150	150 mm	80000~800000 L/H

\* other size available on request



**Electric connection**



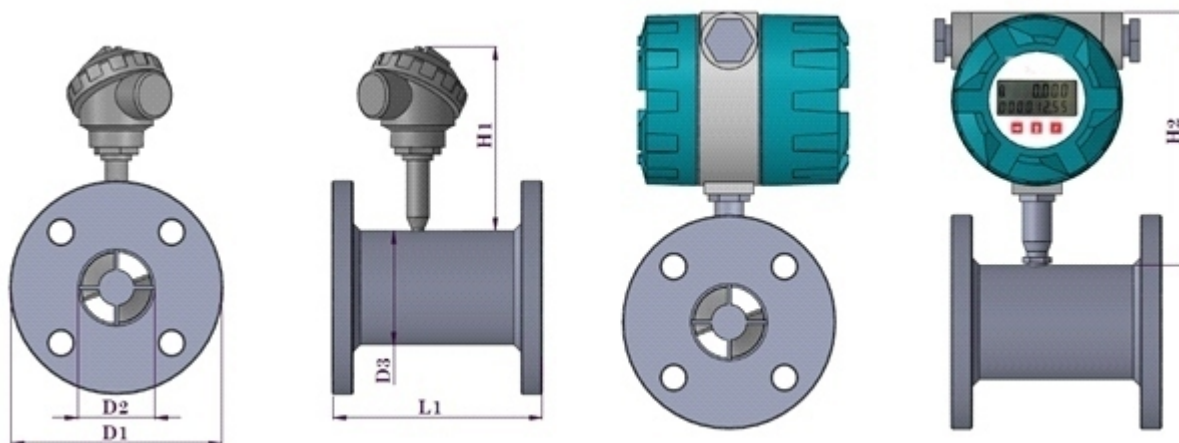
**Calibration process**

- \*Calibrated each flow sensor with three pressure point : 0.5, 4 and 25 bar ,
- \*all pressure calculate pulse/litter at : 25%, 50%, 75% and 100% flow rate
- \*Calibrated with pure water at 25 Deg C



Industrial Spherical Flow Sensor & Meter  
(Positive Displacement Flow Meter)

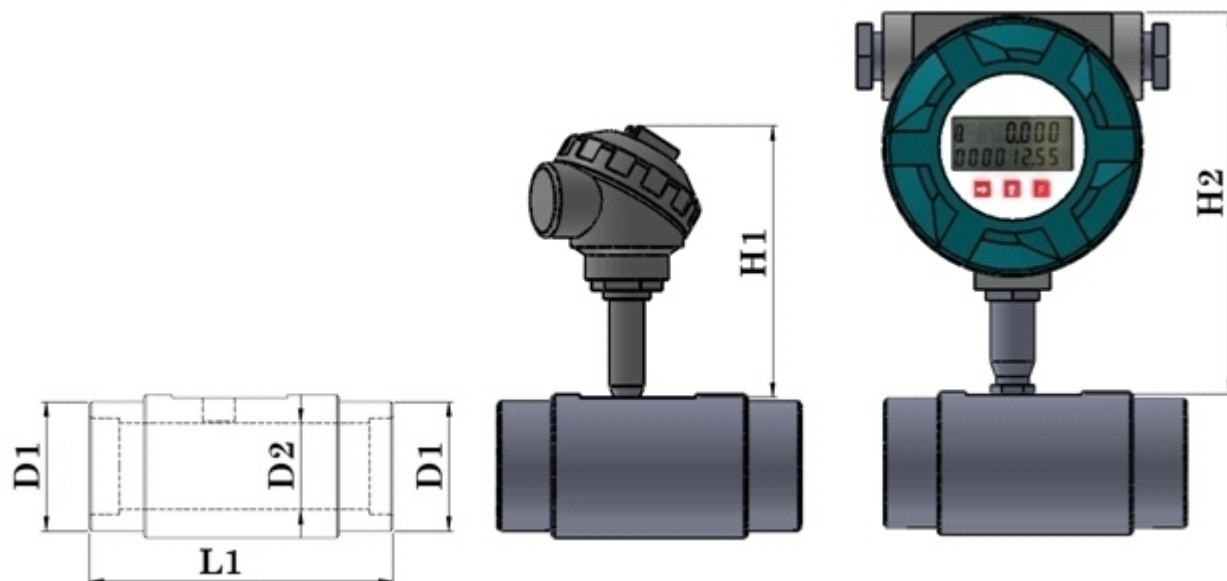
Dimension Drawing : Flange end connection



Line size	L1	D1	D 2	D3	H1	H2
006	50	1/2"(150 CLASS)	6	26	165	190
009	60	1/2"	10	26	165	190
012	80	1/2"	14	28	165	190
020	100	3/4"	20	38	165	190
025	1 10	1"	25	46	165	190
032	165	1 1/4"	32	60	165	190
040	1 65	1 1/2"	40	60	165	190
050	1 70	2"	50	75	165	190
080	2 30	3"	79	105	165	190
100	2 63	4"	100	135	165	190
150	360	6"	150	170	165	190

Industrial Spherical Flow Sensor & Meter  
(Positive Displacement Flow Meter)

Dimension Drawing : Thread end connection

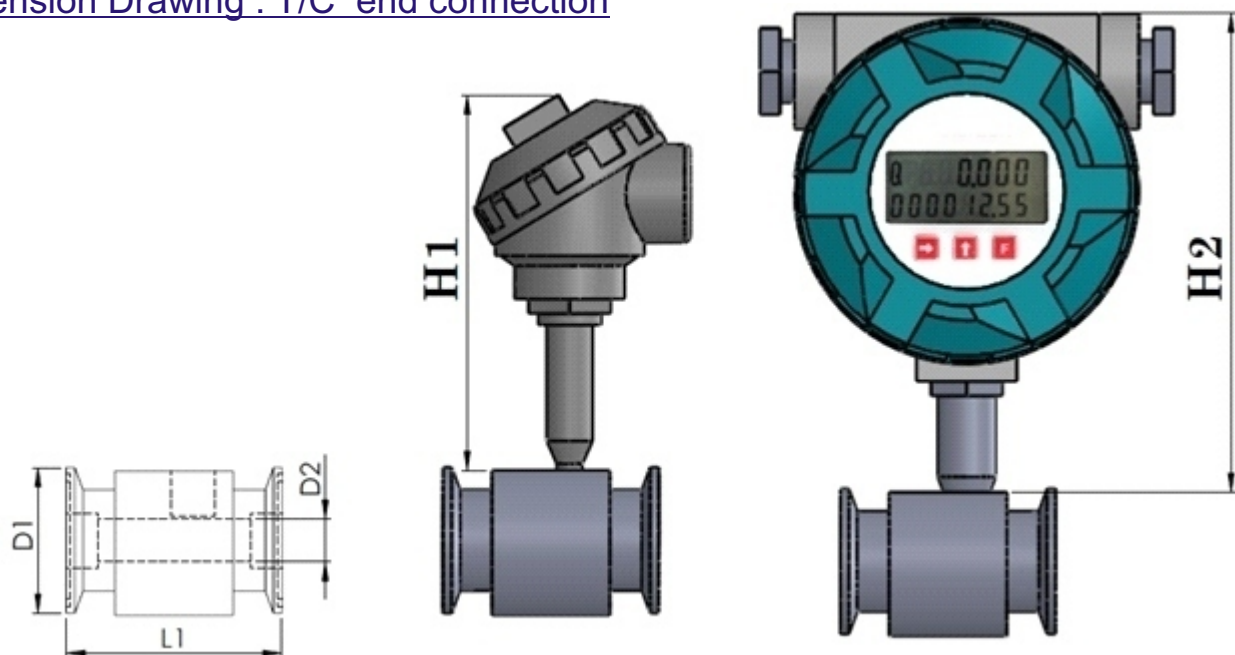


PA R T	L1	D 1	D 2	H 1	H 2
006	50	1/2 BSP	6	165	190
009	60	1/2 BSP	10	165	190
012	80	1" BSP	14	165	190
020	100	1" BSP	20	165	190
025	110	1"1/4 BSP	25	165	190
032	1 65	1"1/2 BSP	32	165	190
040	165	2" BSP	40	165	190
050	170	2"1/2 BSP	50	165	190



**Industrial Spherical Flow Sensor & Meter**  
**(Positive Displacement Flow Meter)**

Dimension Drawing : T/C end connection



PA R T	L1	D 1	D 2	H 1	H 2
0 06	5 0	5 0 .5	6	1 65	1 90
0 09	6 0	5 0 .5	1 0	1 65	1 90
0 12	8 0	5 0 .5	1 4	1 65	1 90
0 20	1 00	5 0 .5	2 0	1 65	1 90
0 25	1 10	5 0 .5	2 5	1 65	1 90
0 32	1 65	6 4	3 2	1 65	1 90
0 40	1 65	6 4	4 0	1 65	1 90
0 50	1 65	7 7 .5	5 0	1 65	1 90
0 80	2 30	1 19	7 9	1 65	1 90
1 00	2 63	1 66 .1	1 00	1 65	1 90
1 50	3 60	2 17 .5	1 50	1 65	1 90