

Head mounted temperature transmitter is used for resistance thermometer (RTD), thermocouple (TC), Resistance transmitter, voltage (mV) signal input, two wire 4-20mA analog output, mounted inside transmitter (form B)

## Function

Transfer various kinds of input signal into 4-20mA output

Input: RTD, Thermocouple

Configuration by PC

2 kinds of resistance thermometer input (RTD)

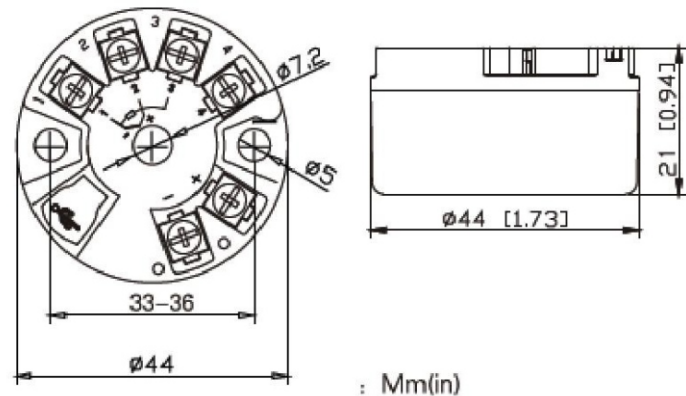
8 kinds of thermocouple (TC)

Built-in cold junction compensation



Input			
Model	Type	Measuring Range	Min Range
RTD	Pt100	-200 to 850°C	10K
	Cu50	-50 to 150°C	10K
TC	B	400 to 1820°C	500K
	E	-100 to 1000°C	50K
	J	-100 to 1200°C	50K
	K	-180 to 1372°C	50K
	N	-180 to 1300°C	50K
	R	-50 to 1760°C	500K
	S	-50 to 1760°C	500K
	T	-200 to 400°C	50K

Dimension



## Configuration

