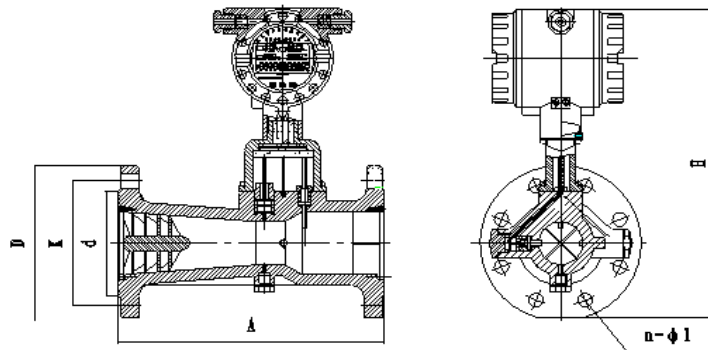


MK - SFM - S.S.S - size



MYKO Swirl flow meter is the new type of flow meter with up to date technique. It integrates flow, temperature and pressure to do volume compensation

Main Characteristics No remove parts, Anti-corrosion, stable performance, long working life, not need special protection measurement after long working hours. Adopted 16 Bit computer chips ,highly integrated, small volume, good performance. The intelligent flow meter integrates sensor ,micro-processor,pressure and temperature sensor into one part , built-in group to compact the structure , directly measure flow volume, pressure ,temperature and able to carry out volume compensation. Adopted double testing technique to improve the testing signal and to prevent the vibration of pipeline. | Adopted advanced anti-vibration technique to restrain the vibration and disturbing signal from pressure fluctuation. Digital counter displays volume flow, volume flow in standard state, totalized flow ,medium pressure and temperature ,etc . Transmitter outputs frequency pulse ,4-20mA analog signal and RS485 port to connect with computer directly . The distance that signal can be output reaches to 1.2Km . Warning output for variable parameters one of which can be selected by users . Counter can be rotated from 360 angles. Battery operated or extra power supply

Application :

- *Various Gases Measurement
- *Petroleum
- *Chemical Engineering
- *Industrial gases
- *Compressor air measurement

Gas : air, oxygen, nitrogen, coal gas, natural gas, chemical gas

Features:

- No moving parts, wear resistance, structure is simple and fastness
- The allowed working temperature is wide from -20°C to +80°C
- Wide range, High accuracy
- The body Material could be aluminum or Stainless steel as per different pressure requirement
- Pulse signal output, two-wire system 4-20mA current output, RS-485 output



MK - SFM - S.S.S - size

Flow range :

Model	DN (mm)	Flow range (m ³ /h)	PN (MPa)	Pressure loss (kPa)	Material
MK-SFM-015	15	0.3~12	1.6 2.5 4.0 6.3	$\Delta P = \rho / 1.205 \times PN$	Aluminum
MK-SFM-020	20	1.2~15			
MK-SFM-025	25	2.5~30			
MK-SFM-032	32	4.5~60			
MK-SFM-040	40	7~70			
MK-SFM-050	50	10~130			
MK-SFM-065	65	20~300			
MK-SFM-080	80	30~400			
MK-SFM-100	100	50~800			
MK-SFM-125	125	80~1000			
MK-SFM-125	150	190~1900			
MK-SFM-200	200	240~3600			

Remark:

1. Precision: is confirmed after temperature and pressure compensation

2. Standard condition: P = 101.325KPa, T=293.15K

3. Application condition:

Ambient temp.: -30°C ~ +65°C

Humidity: 5% ~ 95%

Medium temp.: -20°C ~ +80°C

Air pressure: 86KPa ~ 106KPa

MK - SFM - S.S.S - size

Technical Data Sheet :

Process Media :

Gas and Air - Swirl flow meter with pressure and temp. Compensations
mass available with Compensations

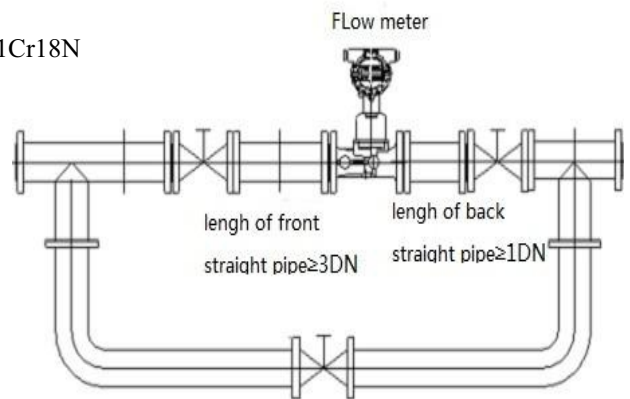
Material of construction:

Enclosure	: Aluminum Alloy / S.S.-316/S.S-304/1Cr18N require
Sensor	: Stainless steel 316 / Tantalum
Repeatability	: 0.02%
Accuracy	: 1% for gas/air
Flow range	: 1.0-3600.0 m ³ /h;

Maximum working pressure : 86Kpa ~ 106Kpa

Fluid & Ambient temperature: -20°C to +80°C

Connection: Flange



1) Battery operated meter

Power voltage: 3.3 V lithium batteries can be used more than 2 years in a row.

display mode:

Double row Liquid Crystal Display (LCD), as follows:

XXX. X four instantaneous flow (Nm³ / h) or Kg/h

XX. XXXXXX eight cumulative flow (Nm³) or kg

Pressure, temperature reading

Cumulative flow: automatically expand the display precision, the cumulative flow values can be reset.

Power-fail protection: instrument coefficient, the Total flow values ten years is not lost when power supply drop.

Function : Auto test meter for find problem,

2) Display with 4 to 20 mA Output

Power voltage: 24 V DC

Output signal: 4 TO 20 mA

Optional output on demand : RS-485/ ALARM/3 wire pulse output

3) Panel mount flow rate totalizer

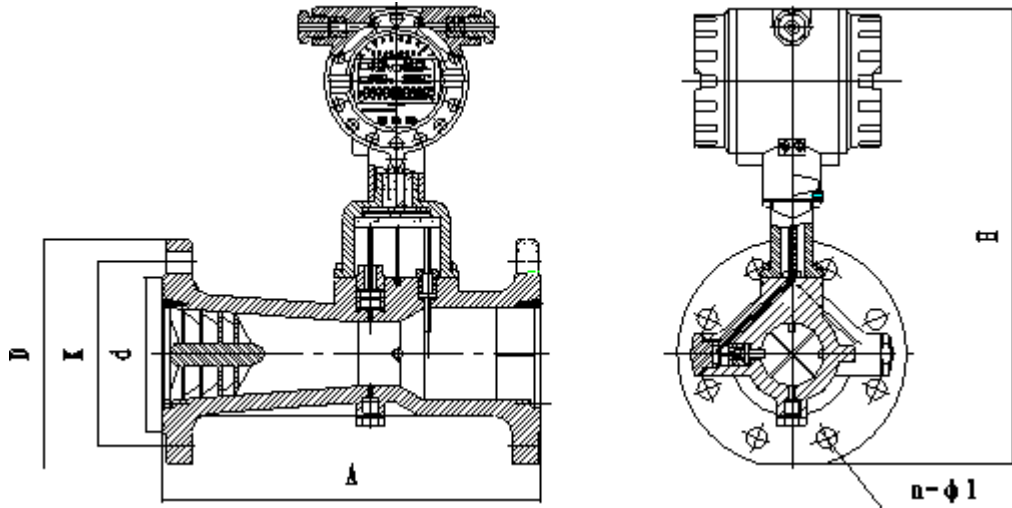
Display flow rate and total, many optional output and 24vdc/230vAC power supply

MK - SFM - S.S.S - size

Dimension and size

Please refer to the following pic and table, flowmeter is flange connection.

Flange standard :GB/T9112~9113-2000



Model	DN	Pressure (MPa)	A	H	D	K	n×d		
MK-SFM -020A	20	1.6、2.5、4.0、6.3	160	305	105	75	4-φ14		
MK -SFM -025A	25	1.6、2.5、4.0、6.3	180	315	115	85	4-φ14		
MK -SFM -032A	32	1.6、2.5、4.0、6.3	200	330	140	100	4-φ18		
MK -SFM -050A MK -SFM -050B	50	1.6、2.5、4.0	232	355	165	125	4-φ18		
		6.3		365				180	135
MK -SFM -080A MK -SFM -080B	80	1.6、2.5、4.0	330	390	200	160	8-φ18		
		6.3		400				215	170
MK -SFM -100A MK -SFM -100B	100	1.6	410	410	220	180	8-φ18		
		2.5		420			235	190	8-φ22
		4.0		420			235	190	8-φ22
MK -SFM -150A MK -SFM -150B	150	1.6	580	470	285	240	8-φ22		
		2.5		490			300	250	8-φ26
		4.0		490			300	250	
MK -SFM -200A	200	1.6	700	525	340	295	12-φ22		
		2.5		540			360	310	12-φ26
		4.0		550			375	320	12-φ30

Flow range code : A: Small range : B: Large range